



Read these instructions and manufacturers warnings before operating our new Wandlites (v2 - 2023)

## CONTENTS

1. Product Description
2. Health & Safety Information
3. Product Apparatus
4. Accessories
5. Product Specification
6. Operating Instructions
7. Maintenance & Cleaning

## 1. PRODUCT DESCRIPTION

Wandlite 24vdc LED Lamp

- Class III luminaire.
- Diffused lighting.
- Long lasting LED lights, 65,000 – 70,000 hours.
- Able to link maximum of x5 Wandlites together (1m only in series).
- Robust and lightweight construction.
- No flicker.

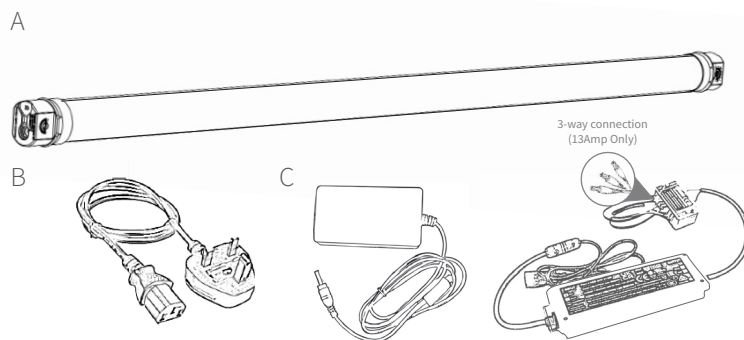
## 2. HEALTH & SAFETY INFORMATION

Read these instructions and manufacturers warnings before operating.

- Only use Wandlite with recommended power supply, mains power lead, link cable and 2 way splitter cable.
- Do not continue to use product if it becomes damaged or is malfunctioning.
- Do not attempt repairs yourself. If damaged or malfunctioning the product should be disposed of responsibly.
- Keep out of the reach of small children and animals. THIS IS NOT A TOY.
- Do not insert foreign objects into the Wandlite power sockets.
- For internal use only, do not expose to water.
- Do not connect any other devices to the power supply.
- Instructions must be followed to ensure correct operation.
- Ensure that Wandlite power sockets are clean before use.
- Power supply unit must not be suspended from the Wandlite.
- The Wandlite must only be mounted by means shown in operating instructions.
- Do not use Wandlite power sockets to power any other devices

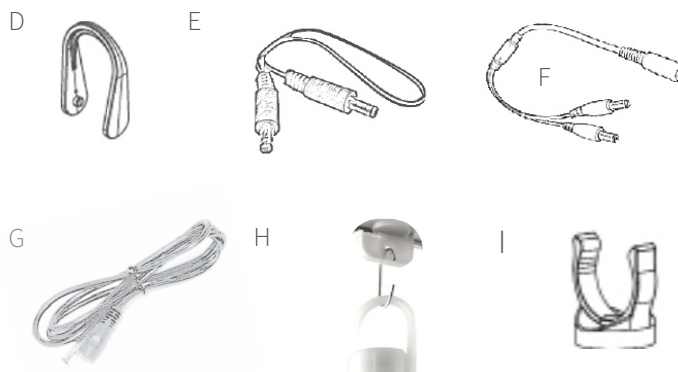
## 3. PRODUCT APPARATUS

- A. Wandlite
- B. Mains Power lead
- C. 5A / 13.3A Power Supply \*\*all transformers include a mains power lead



## 3. ACCESSORIES

- D. Hanger (Code: WLCSH)
- E. Link Cable (Code: WLFL)
- F. 2 Way Splitter Cable (Code: WLFS)
- G. Link Extension (Code: WLFLE)
- H. Mounting Clip (Code: WLCFC)
- I. Twist shelf Support with Hook (Code: WLHKS 40mm/100mm)



1000 WANDLITE - SINGLE UNIT AS SHOWN IN FIGURE A	
Brightness	2210 Lumen Approx
Power consumption	14.4W
DC power input	24vdc 1.5A
Fuse	5A resettable
Operating temperature	25°C
Operating humidity	40-90%
Diameter	39mm
Length	1000mm
Weight of Wandlite	272g
IP Rating	IP65
Kelvin Rating	6500k (Nominally)

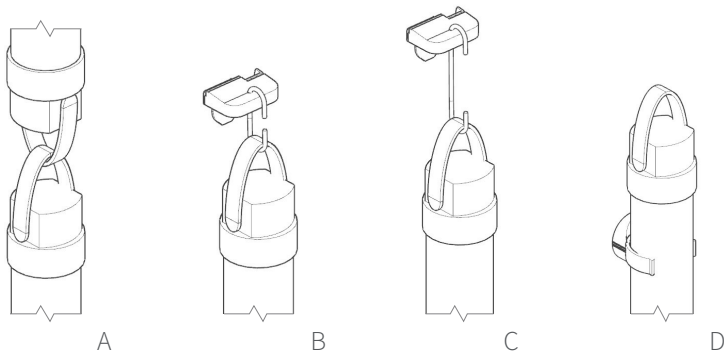
### 4. OPERATING INSTRUCTIONS

- A. Safe operating instructions
  - Ensure correct power supply is being used.
  - Ensure Wandlite power sockets are clean.
  - Always fully insert power supply plug into the Wandlite power socket.
  - Ensure cables are tidy and secured to prevent hazards.
- B. Using Hangers
  - Wandlite can be hung vertically or horizontally.
  - Refer to figures 1 and 2 for vertical hanging, figure 3 for horizontal hanging.
  - Clip Hangers into slots either side of the Wandlite end cap.
- C. Using 5 Amp power supply:
  - Refer to figure 4.
  - Plug 24vdc 5A power supply into mains supply. Do not switch on.
  - Insert power plug into Wandlite power socket.
  - Switch on power at mains
- 13A power supply - 2 Way Splitter Cable-
  - Refer to figure 5.
  - Plug 24vdc 1/ 3A power supply into mains supply. Do not switch on.
  - Insert power plug into splitter cable socket.
  - Insert splitter cable plugs into one power socket of each Wandlite.
  - A single additional Wandlite can be connected in line to each Wandlite with use of Link cable.
  - Insert a Link cable plug into power socket at opposite end of Wandlite/s.
  - Insert the remaining end plug of the Link Cable into power socket at end of second Wandlite to form a linked pair.
  - Switch on power at mains.
  - A maximum of 12 (1m) Wandlites in 4/4/4 layout can be connected in this way (see configuration).
  - If the product becomes dirty, unplug Wandlite from 24vdc power supply and wipe with a cloth damped with water. Do not use any other cleaning substances.
  - Be sure to secure Rubber bungs.
  - Do not allow any water into the power sockets.

**WARNING -**  
 Do not attempt to link more than the stated maximum number of Wandlites. Only link a maximum of 5 (1m) Wandlites in line.  
 Do not connect previous generation Wandlites with the new transformers stated in this data sheet (5 amp or 13amp)

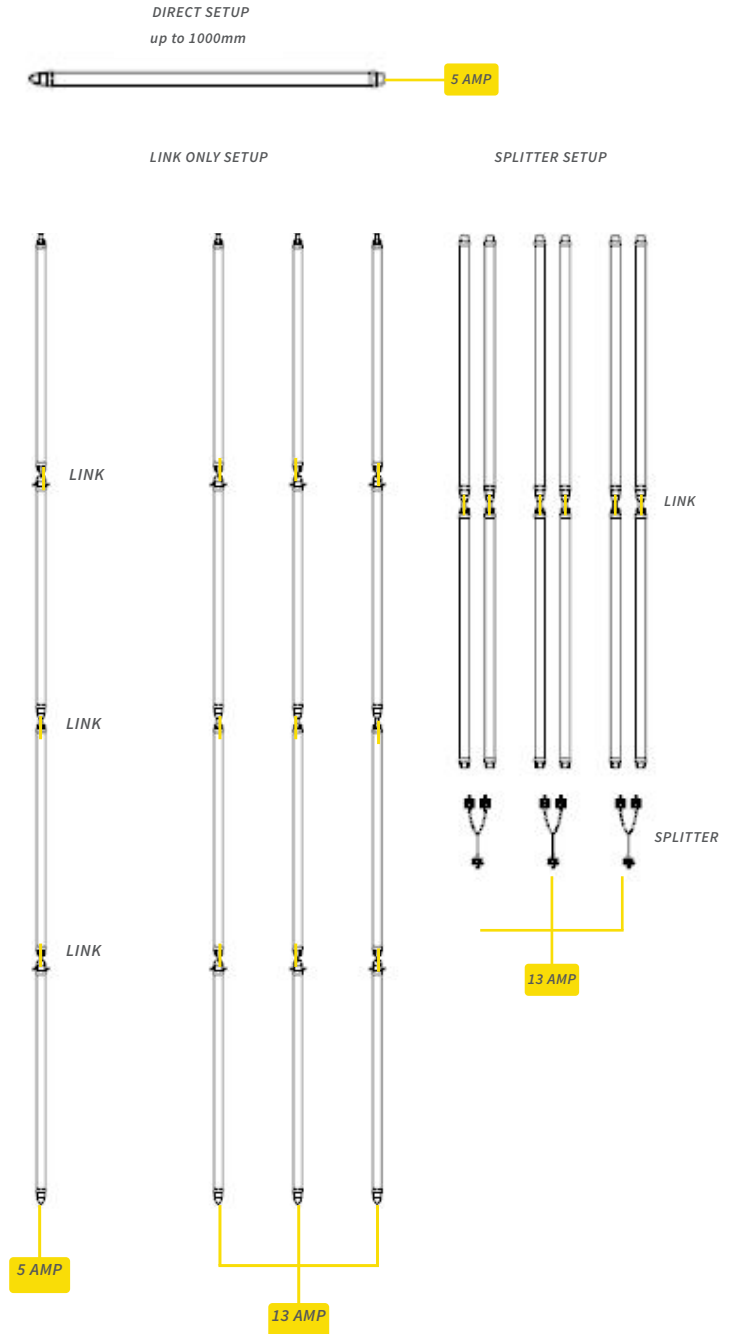
### 5. MOUNTING INSTRUCTIONS

- A. Hanger (Code: WLCSH)
- B. Twist shelf Support with Hook (Code: WLHKS 40mm)
- C. Twist shelf Support with Hook (Code: WLHKS 100mm)
- D. Mounting Clip (Code: WLCFC)



### 6. CONFIGURATION EXAMPLES

The T3 Wandlite has specific configurations when it comes to correct tube and transformer setup. The below illustrations show the correct configurations when it comes to powering your T3 Wandlite tubes (1M lights). These configurations will provide you with a consistent bright white light source for your displays. For Every splitter added, a drop of approximately 0.5m needs to be accounted for. 13.3Amp (ONLY) transformer come with x3 extension leads and x3 Splitters for easy configuration and setup.



International Patents Pending: PCT/GB2013/052876  
 Invention Patent 发明专利  
 Application No. 201310538082.0  
 Utility Model Patent 实用新型/模型专利  
 Application No. 2013206887912